



Project Name: _____
Part Number: _____ **Date:** _____

Features

- Secure
- Direct Communications to CheckLight™ Cloud
- Ensures Connectivity
- Building IT agnostic
- Remote Support

PTCRB, FCC, IC, Carrier
 Safety: UL/CUL
 Materials: WEEE, RoHS, RoHS-2,
 California Prop 65

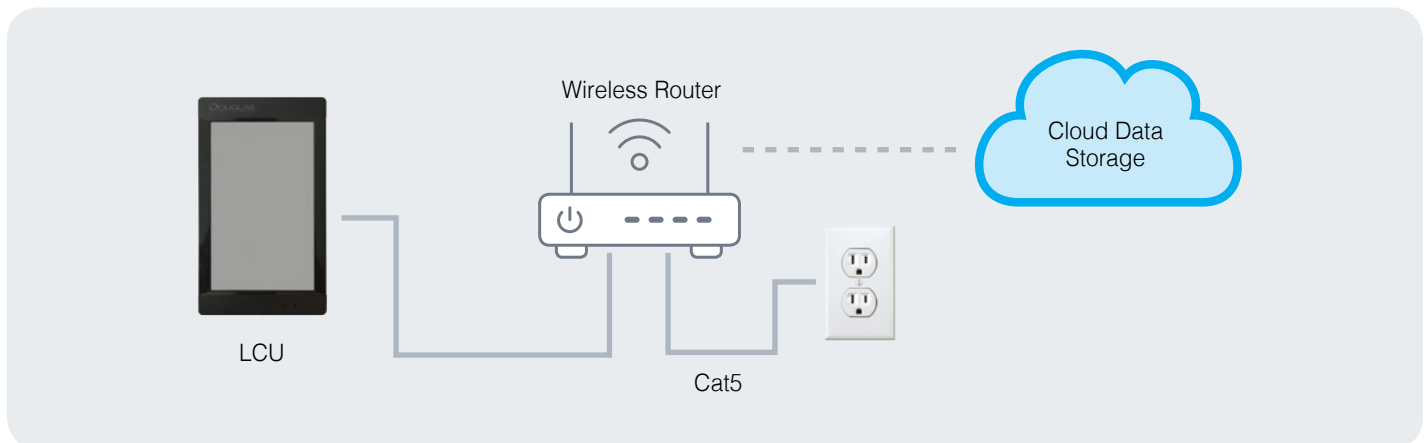
The CheckLight Cellular Modem allows for the WLC-4150-E to communicate to the CheckLight Cloud without the reliance on the building IT Infrastructure. This is accomplished by utilizing a cellular data network to transmit the data directly to the CheckLight Cloud. This connection is two way allowing the CheckLight Dashboard to have access to the data and control the system from anywhere in the world.

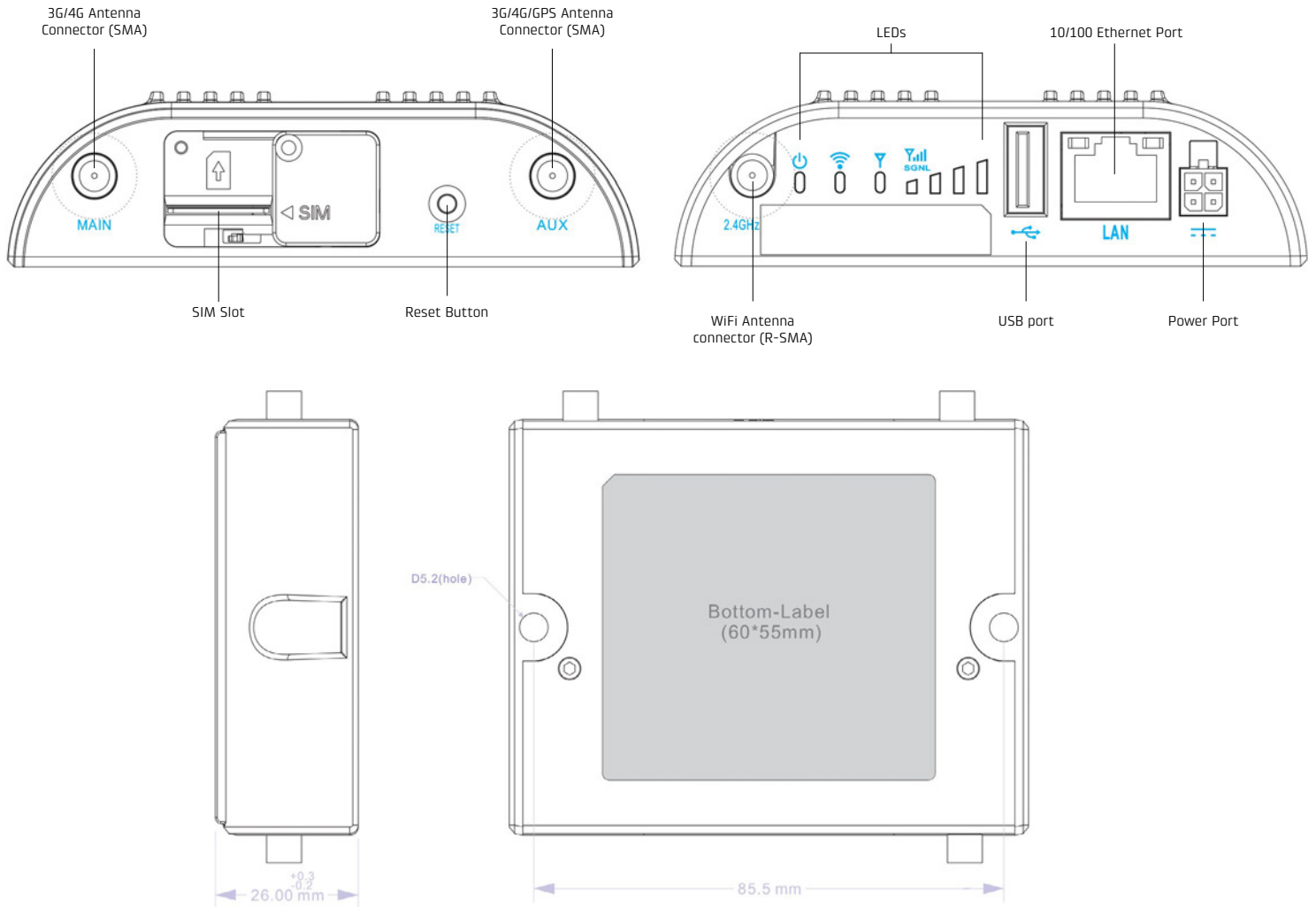
PART NUMBER	DESCRIPTION
CHKLT-CellUS	Dialog CheckLight Cellular Accesspoint USA, Includes 120 VAC Wall plug power supply, 6ft
CHKLT-CellCA	Dialog CheckLight Cellular Accesspoint CDN, Includes 120 VAC Wall plug power supply, 6ft

SECURITY

- RADIUS and TACACS+ support*
- 802.1x authentication for Ethernet
- Certificate support
- ALGs
- MAC Address Filtering
- Advanced Security Mode (local user management only)
- Per-Client Web Filtering
- IP Filtering
- Content Filtering (basic)
- Website Filtering
- Zone-Based Object Firewall with host address (IP or FQDN), port, and mac address
- NetCloud Perimeter compatible

* Native support for authentication. Authorization and accounting support through hotspot/captive portal services





TECHNOLOGY	<ul style="list-style-type: none"> • LTE
DOWNLINK RATES	<ul style="list-style-type: none"> • LTE 10 Mbps
UPLINK RATES	<ul style="list-style-type: none"> • LTE 5 Mbps
LTE	<ul style="list-style-type: none"> • Band 4 – AWS (1700/2100 MHz), Band 13 (700 MHz)
POWER	<ul style="list-style-type: none"> • LTE 23 dBm ± 1 (typical conducted)
ANTENNAS	<ul style="list-style-type: none"> • two SMA male (plug), finger tighten only (maximum torque spec is 7 kgf/cm²)
INDUSTRY STANDARDS & CERTS	<ul style="list-style-type: none"> • FCC, UL, Verizon
SIM	<ul style="list-style-type: none"> • one 2FF slot
GPS	<ul style="list-style-type: none"> • passive, muxed on aux LTE port
DIMENSIONS	<ul style="list-style-type: none"> • 3.0 × 3.7 × 1.0 in (76.5 × 94.5 × 24.5 mm)
INPUT VOLTAGE	<ul style="list-style-type: none"> • 12VDC 1A
WIRELESS POWER	<ul style="list-style-type: none"> • IBR200-10M-VZ, IBR200-10M-B-AT, IBR200-10M-C-SP • 2402–2483.5 MHz (2.4 GHz band): 25.3 dBm conducted • IBR200-10M-D-EU, IBR200-10M-E-AP • 2402–2483.5 MHz (2.4 GHz band): 14.99 dBm conducted
PORTS	<ul style="list-style-type: none"> • Power w/2-wire GPIO (one input, one output) • One Ethernet LAN
ENVIRONMENT	<ul style="list-style-type: none"> • –20 °C to 60 °C (–4 °F to 140 °F) operating, indoor, non-condensing
WARRANTY	<ul style="list-style-type: none"> • 1 year warranty