	PART No. DLS-41000-120 DLS-42250-277	DESCRIPTION <ul style="list-style-type: none"> • 4 channel x 1000 W Dimmer or switch pack • Dimmer or switch selection with adjustable Switch level • Universal dimmers for LED, Fluorescent, Low-Voltage Transformers • 120VAC or 277VAC • Suitable for dimming Triac dimmable LED & CFL Bulbs 	SPECIFICATION Heavy-Duty Outputs, Dims 4 x 8 AMP loads (4 dimmers x 1000W @120VAC). (4 dimmers x 2250W @277VAC) Active DC component protection for inductive loads Suitable for inductive Loads at Full Rating 0-10V analog lighting controllers compatible
---	---	---	--

Features

- Designed for Architectural dimming from standard 0-10V wall dimmers or controllers
- Use with Dialog WDB-3314

Operation

Enclosure Installation Surface mount the dimmer pack in a well ventilated area where the ambient temperature does not exceed 104° F for full load operation. Allow 2" of side clearance for proper air circulation and servicing. Installation clearance shall meet local and/or NEC code requirements. Enclosures may be attached to the wall or other mounting surface by holes in the heat sink flanges. Refer to the drawings below (FIGURE 3) for the correct dimensions. Conduit shall be pulled to the top of the dimmer packs.



Figure 1 - DLS-41000

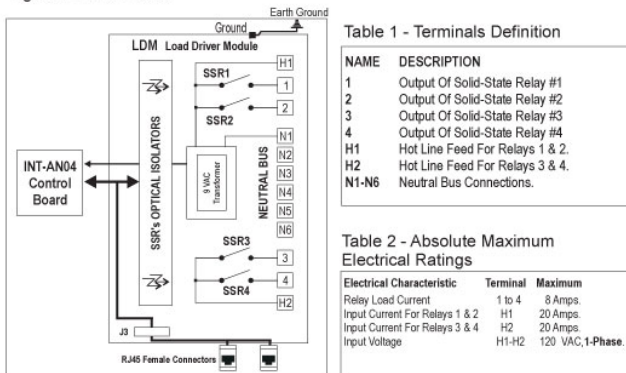


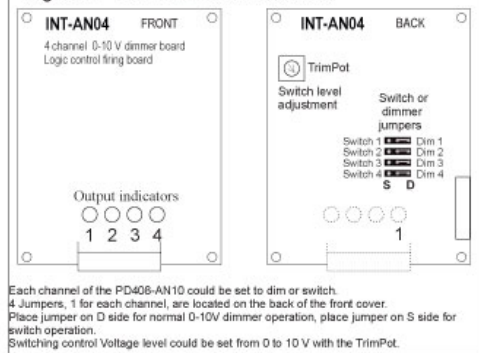
Table 1 - Terminals Definition

NAME	DESCRIPTION
1	Output Of Solid-State Relay #1
2	Output Of Solid-State Relay #2
3	Output Of Solid-State Relay #3
4	Output Of Solid-State Relay #4
H1	Hot Line Feed For Relays 1 & 2.
H2	Hot Line Feed For Relays 3 & 4.
N1-N6	Neutral Bus Connections.

Table 2 - Absolute Maximum Electrical Ratings

Electrical Characteristic	Terminal	Maximum
Relay Load Current	1 to 4	8 Amps.
Input Current For Relays 1 & 2	H1	20 Amps.
Input Current For Relays 3 & 4	H2	20 Amps.
Input Voltage	H1-H2	120 VAC, 1-Phase.

Figure 2 - INT-AN04 control board



DIMENSIONS & MOUNTING

- Compact Size, 11.75" H x 8.30" W x 4.12" D
- Wall-Mount aluminum enclosure

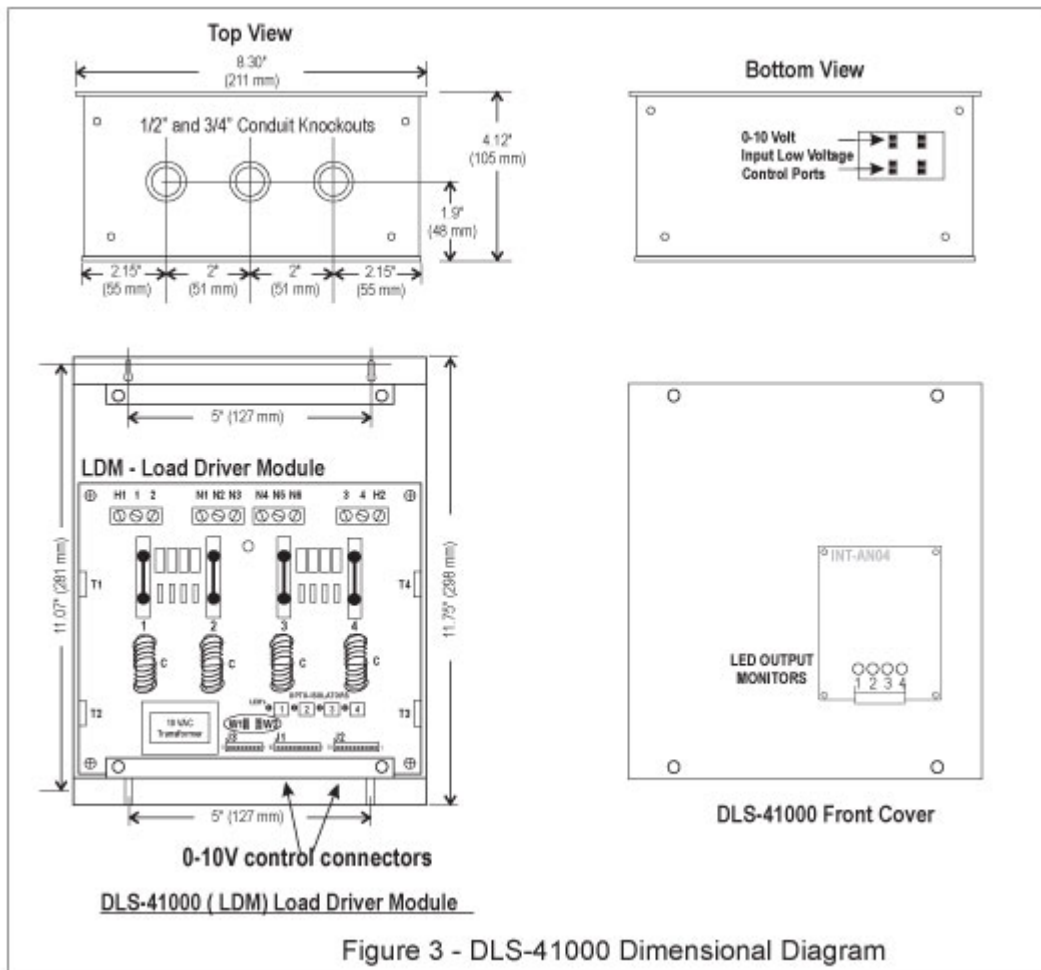


Figure 4 - DLS-41000 Typical Control Wiring.

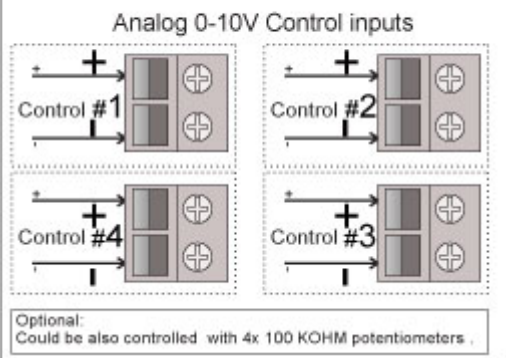


Figure 5 - DLS-41000 Typical 120 VAC Wiring.

