



Project Name: _____
 Part Number: _____ Date: _____

Features

- Dialog® dataline technology
- Key with ON/OFF control
- Simple 2-wire connection
- LED status indicator for ON/OFF
- Programmable via handheld infrared device



ASHRAE 90.1 Compliant

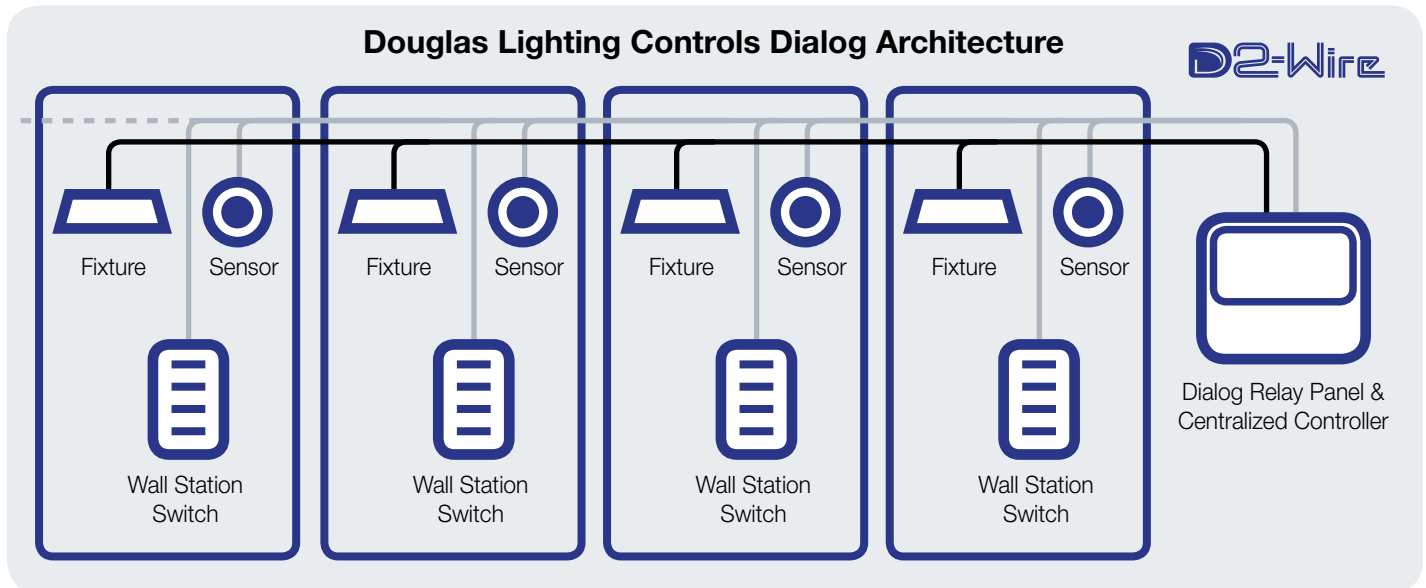
The Dialog key switch is a part of a Dialog centralized control system. It provides a key accessible input into the system via the front face of the wall switch. The Dialog key switch comes as a single key module to provide an attractive solution for the secured control requirements of your lighting control system. The key switch modules only require connection to the Dialog 2-wire (18/2 AWG) low voltage, non-polarized, power and data bus.

The key switch can send a signal for both the clockwise and counterclockwise turns. This allows for multiple functions depending on the requirement of the system. The key switch has an LED indicator above the keyhole to show the real-time status of the targeted output or group. Orange LED indicated ON and blue LED indicates OFF. Each key switch is programmable from a handheld infrared programmer (provided by Douglas), therefore key switches do not need to be removed, or disassembled when programming is required.

The Dialog Key Switch is part of the Dialog System which includes relay panels, control cards and peripheral devices (Occupancy Sensor, Daylight Sensor, Wall Station Switches). Systems are built project specific, then factory programmed and tested before shipping to site. On-site support for commissioning is provided as needed.

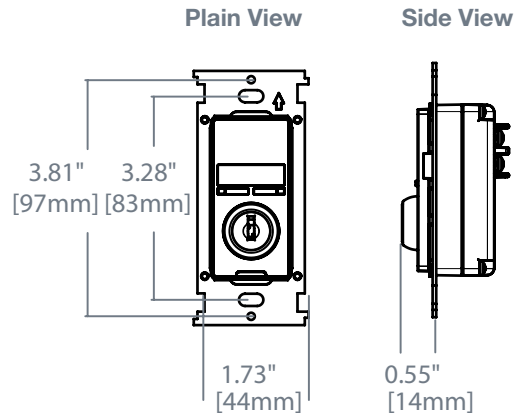
Typical Applications: Where secure input is required for system control.

PART NUMBER	DESCRIPTION
WSK-3502	Data line key switch – 1 gang, 1 key, infrared set; Signal draw 3mA



WIRING A DIALOG KEY SWITCH

- Connect the key switch to the 2-conductor data line.
- Connection is low voltage, non-polarized t-tap capable.
- The maximum one way measurement from the controller to the switch device is 1000'. Should longer lengths be needed, use WAM-3190 amplifier.
- Each switch uses 3mA of power. There is 500mA of total power available from the Dialog line for all devices. A power amplifier is available (WAM-3190) is available should the 500mA limit is exceeded.



INSTALLATION

- Connect the 2-wire Dialog data line to the back of each switch module and install modules in standard wall boxes.
- Each switch module must have an output address or group code assigned.
- A Dialog system local network can have a total of 252 output and 127 group codes. A group code can host one, some, or all of the output addresses. There is no limit to the number of switches that can be set to the same address or group code.
- A switch targeted at a group code requires the group code to have an existing program to function
- A switch targeted directly to an output address requires no extra programming.

PROGRAMMING

- A key switch can send standard action commands:
 - o ON/OFF (output or groups)
 - o Dim UP/DOWN (output or groups)
 - In addition to standard action commands, presets can also set operating modes. Modes determine how input devices and output of the group behave.
- Example 1: quiet time switch: disable motion sensor for 1 hour
 Example 2: during off hours, switch activates group for 30-mins
 Example 3: for a period of time, lock output to a defined level

POWER	• Dialog 2-wire (18/2 AWG) low voltage, non-polarized, power and data bus
COMMUNICATION	• Dialog 2-wire (18/2 AWG) low voltage, non-polarized, power and data bus
CURRENT DRAW	• 3mA
ENVIRONMENT	• Indoors, stationary, non-vibrating, non-corrosive atmosphere & non-condensing humidity • Ambient operating temperature: +5°F to +120°F (-15°C to +50°C)
WARRANTY	• 1 year warranty

* Application and Performance Specification Information Subject to Change without Notification

Rev. 8/2/17