

	PART No.	FEATURES	SPECIFICATION
	<b>WP-PP20-347-D</b> 1-Pole 347Vac	<ul style="list-style-type: none"> <li>• Works with Diversa 24Vac (low voltage) Occupancy and Vacancy Sensors and Diode Pulse relays</li> <li>• Converts line voltage to low voltage and switches the load</li> <li>• Mounts to a standard 1/2" knockout</li> <li>• Fits into a standard 4" octogan box</li> </ul>	<p><b>Load Voltage</b></p> <ul style="list-style-type: none"> <li>• 347Vac</li> <li>• 60Hz</li> </ul> <p><b>Switching Load</b></p> <ul style="list-style-type: none"> <li>• 347Vac</li> <li>• See Table for contact rating</li> <li>• Use #14AWG Wire</li> </ul> <p><b>Inputs</b></p> <ul style="list-style-type: none"> <li>• Diode Pulse</li> <li>• #14AWG wire</li> </ul> <p><b>Secondary Power Source</b></p> <ul style="list-style-type: none"> <li>• 24Vac, 150mA</li> <li>• #14AWG wire</li> </ul> <p><b>Approvals</b></p> <ul style="list-style-type: none"> <li>• Certified to CAN/CSA Std. C22.2 No. 14</li> <li>• Conforms to UL 508 Standard</li> <li>• Title 24</li> <li>• FCC</li> <li>• Plenum Rated UL2043</li> <li>• Class 2 Rating</li> </ul> <p><b>Environment</b></p> <ul style="list-style-type: none"> <li>• Indoors, stationary, non-vibrating, non-corrosive atmosphere and non-condensing humidity</li> <li>• Ambient Operating Temperature: 14°F to 140°F (-10°C to 60°C)</li> <li>• Storage Temperature: -14°F to 140°F (-25°C to 60°C)</li> </ul>

**Operation**

The WP-PP20-347-D Power Packs work in conjunction with the Diversa Low Voltage Sensors by providing power to the sensors and receiving on/off commands from the Sensor.

**Contact Load Rating**

Voltage	Contact Rating		
	General	Tungsten	Standard Ballast
347	20A	20A	20A

All Power Packs provide a 24Vac secondary source for use with the Low Voltage Diversa Sensors and other Diode Pulse devices. All switches or loads required to be supported by the Sensor must be included in the loading capacity of the Power Pack.

**Maximum Load Per Input**

Voltage	Max # of Linked Sensors
24Vac	10

**Typical Low Voltage Loads**

Device	Part #	Current (mA)
Ceiling Mounted Sensor	WOR/WVR	9.5mA Standard 14.0mA w/ Aux Relay
Wall Switch Sensor	WOS/WVS	
Wall Mount sensor	WOW/WVW	
Diode Pulse Switch	WR-8601	4mA

**Installation**

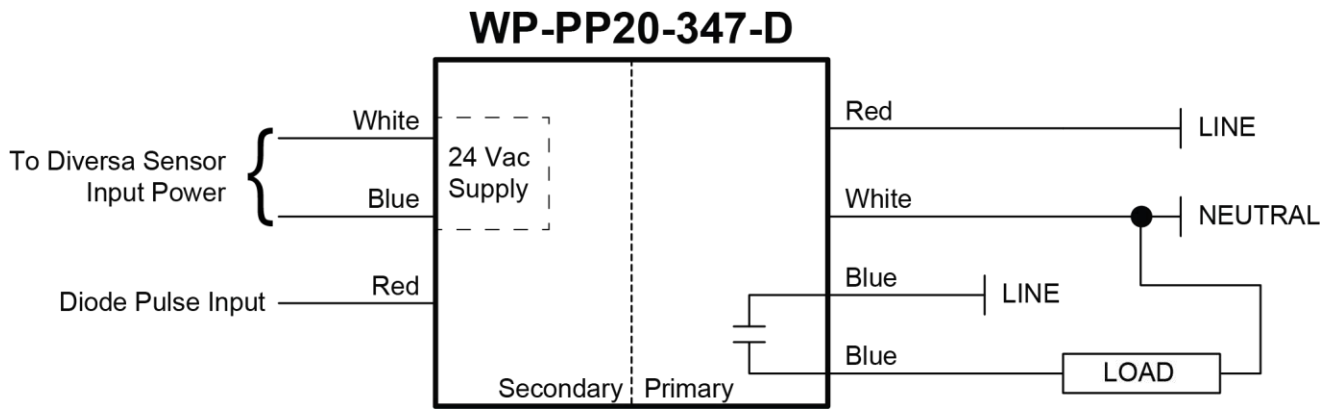
The Power Pack shall be mounted inside an electrical junction box or panel with a 1/2" threaded nipple.

**Wiring Instructions**

**⚡ CAUTION ⚡**  
**TURN POWER OFF AT THE CIRCUIT BREAKER BEFORE WORKING WITH OR NEAR HIGH VOLTAGE**

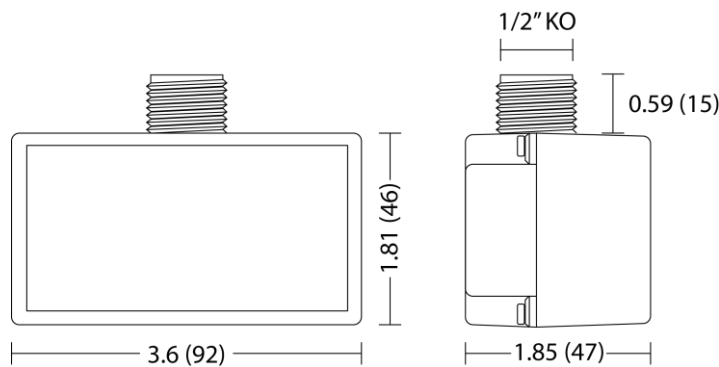
The Power Packs are equipped with #14AWG stranded leads. Use appropriate sized wire-nuts to connect the wires to the incoming load terminations. For installation with field-installed conductors of 60°C minimum rating.

**Electrical Connections**



**Dimensions & Mounting – inches (mm)**

The Power Pack shall be mounted inside an electrical junction box or panel with a 1/2 inch threaded nipple.



**WP-PP20-347-D**

\* Application and Performance Specification Information Subject to Change without Notification