




Technical Data

WP-PP20-D

1-Pole Power Pack, 120/277Vac

	PART No.	FEATURES	SPECIFICATION
	WP-PP20-D	<ul style="list-style-type: none"> 120-277VAC Single pole Designed for use with Diversa occupancy sensors and Diode Pulse relays 	<p>Load Voltage</p> <ul style="list-style-type: none"> 120/277VAC 60Hz <p>Switching Load</p> <ul style="list-style-type: none"> 120/277VAC See Table for contact rating Use #14 AWG Wire

Operation

The WP-PP20-D Power Packs work in conjunction with the Diversa Low Voltage Sensors by providing power to the sensors and receiving on/off commands from the sensor.

Contact Load Rating

Voltage	Contact Rating			
	General	Tungsten	Standard Ballast	Electronic Ballast
120V	20A	20A	20A	16A
277V	20A	20A	20A	16A

All Power Packs provide a 24 VAC secondary source for use with the Low Voltage Diversa Sensors and other Diode Pulse devices. All switches or loads required to be supported by the sensor must be included in the loading capacity of the Power Pack.

Maximum Load Per Input

Voltage	Max # of Linked Sensors
24VAC	8

Typical Low Voltage Loads

Device	Part #	Current (mA)
Ceiling Mounted Sensor	WOR/WVR	9.5mA Standard 14.0mA w/ Aux Relay
Wall Switch Sensor	WOS/WVS	
Corner Mount Sensor	WOW/WVW	
Diode Pulse Switch	Dialog Switches	4mA

Inputs

- Diode Pulse
- #14AWG wire

Secondary Power Source

- 24VAC, 150mA
- #14AWG wire

Approvals

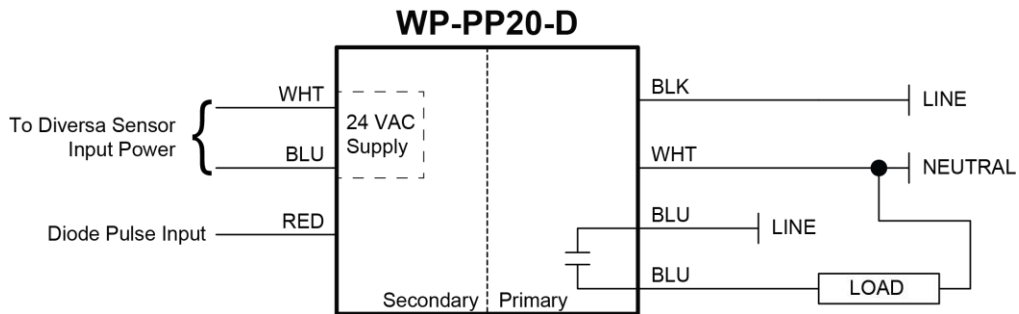
- Certified to CAN/CSA Std. C22.2 No. 14
- Conforms to UL 508 Standard
- ASHRAE 90.1 compliant
- CEC Title 24 compliant

Environment

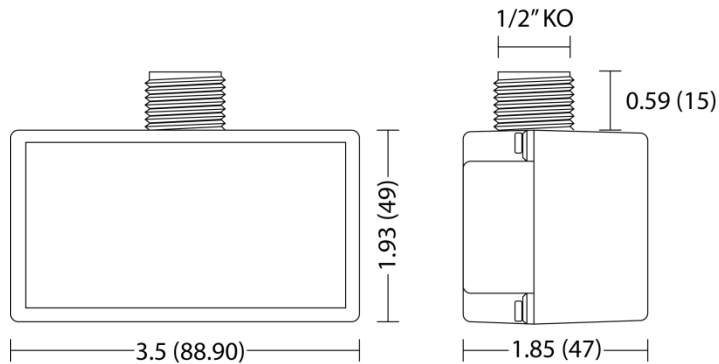
- Indoors, stationary, non-vibrating, non-corrosive atmosphere and non-condensing humidity
- Ambient Operating Temperature: 14°F to 140°F (-10°C to 60°C)
- Storage Temperature: -14°F to 140°F (-25°C to 60°C)

Wiring Instructions

Terminating wire shall be a minimum of #22 AWG for control power connections and shall be suitably sized to handle the load ratings below.

Electrical Connections

Dimensions & Mounting

The power pack shall be mounted inside an electrical junction box or panel with a 1/2" threaded nipple.



WP-PP20-D

*Application and Performance Specification Information Subject to Change without Notification