



Project Name: _____
Part Number: _____ **Date:** _____

Features

- Two relay circuits (20A each)
- Two independent dimming channels
- Shipped as Plug ‘N Control® out-of-the-box ready “kits”
- Color coded wires, labels and on-device wiring instructions
- Low cost, simple to install, non-polarized 2-wire network



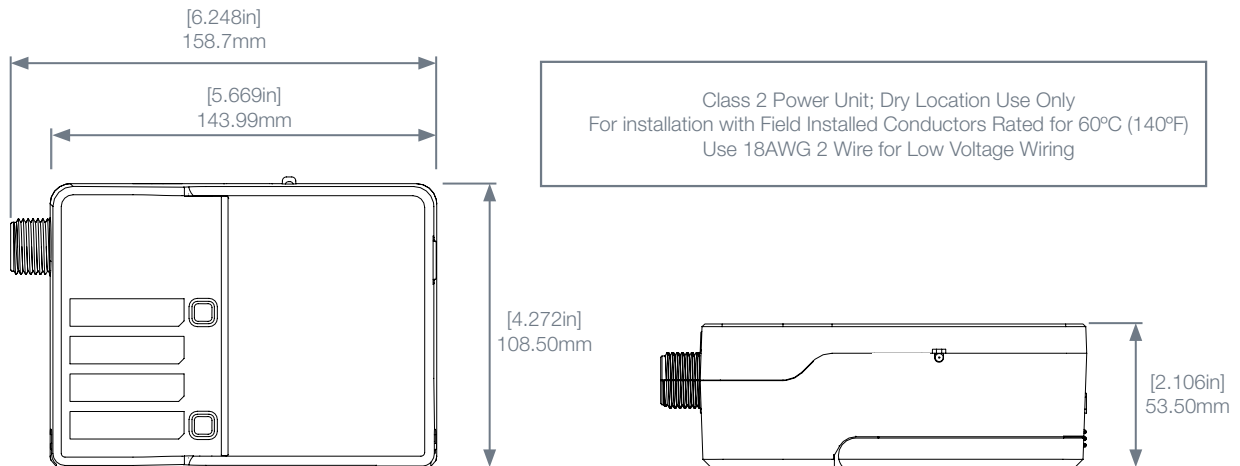
ASHRAE 90.1 Compliant

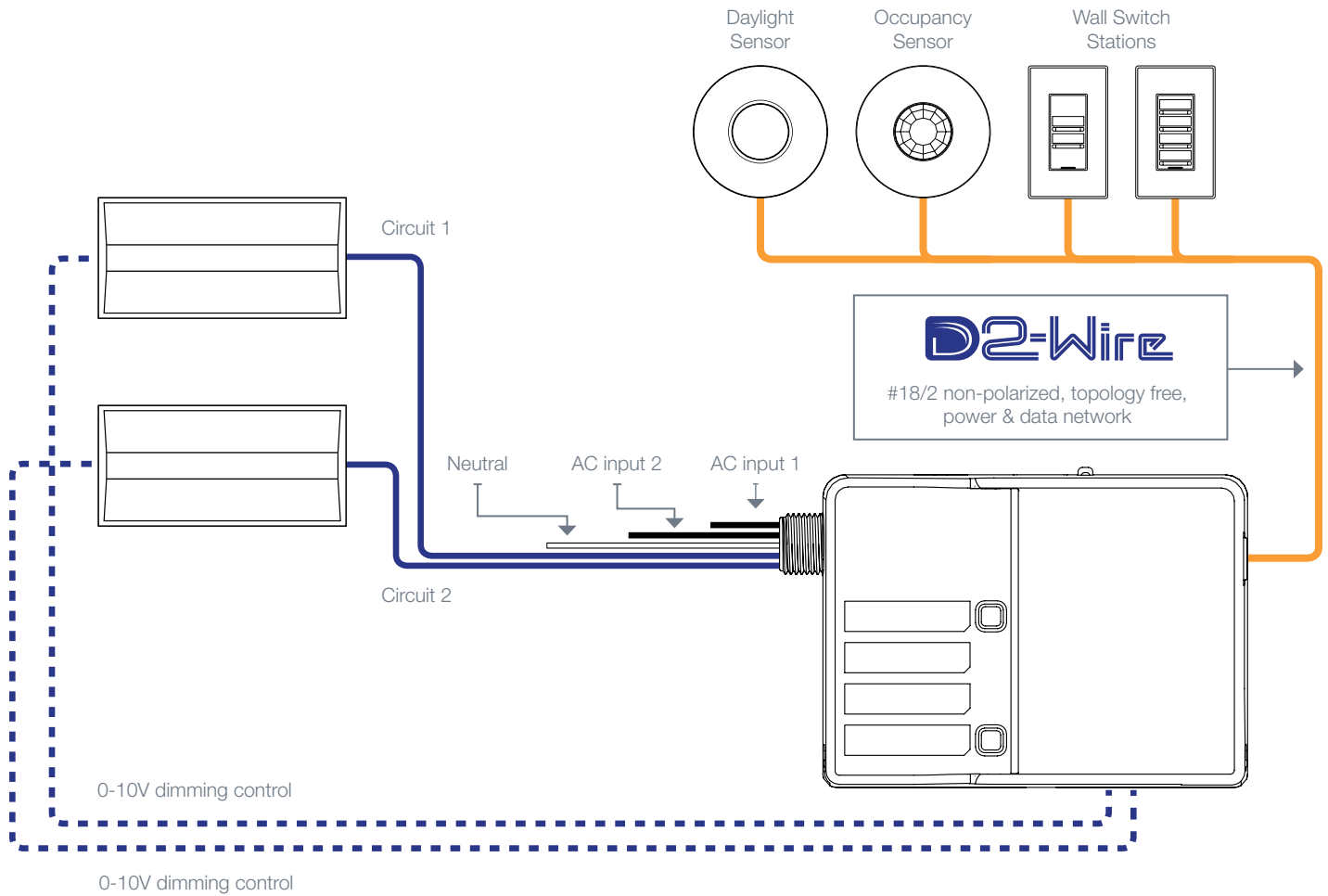
Dialog® Room Controller 2 is a stand-alone, distributed lighting control solution for offices, classrooms, and defined spaces. The systems are ideal for controlling lights and receptacles in specific areas of a building. The packaged systems are factory configured and include occupancy sensors, daylight sensors, and wall station switches to provide an out-of-the-box ready, Plug ‘N Control® system. A low voltage power and data network connects switches, occupancy, and daylight sensors to the controller. Power is connected from the controller to the lights, as are the 0-10V dimming connections. The complete system then offers ON/OFF and 0-10V dimming functionality using control signals from the sensors and switches.

With the specially designed Dialog Room Controller 2 wiring complications are minimized by mounting the controller directly to junction boxes using the incorporated ½ inch chase nipples. Color coded labels that correspond with wires and connection details inside the wiring compartment clearly identify proper connections. Connecting to the switches and sensors is even easier using our #18/2 power and data network. The network is non-polarized and follows a free topology architecture.

The Dialog Room Controller 2 system can also be used in a centralized, fully networked Dialog system. Connect the room controller to the Douglas Lighting Controls® Dialog centralized network and facility-wide control capability is enabled. Advantages include global control and scheduling, faster installations, fewer long wire/conduit runs, and room-by-room commissioning before centralized network connections are completed.

PART NUMBER	DESCRIPTION
WRC-3260	Two relay, two dimming channel room controller





INPUT	<ul style="list-style-type: none"> • 120/277/347VAC, 20A Max., 60Hz
OUTPUT	<ul style="list-style-type: none"> • 20A general use 120/277/347VAC • 20A standard ballasts & tungsten loads 120/277VAC • 15A standard ballasts 347VAC • 16A electronic ballasts 120/277VAC • 0.5HP 120/277VAC
RELAYS	<ul style="list-style-type: none"> • 2 (@ 20A each)
DIMMING	<ul style="list-style-type: none"> • 2 - 0-10V class 2 independent dimming channels • 100 mA sinking current per channel
APPROVALS	<ul style="list-style-type: none"> • UL2043, UL508, UL1310 • CSA c22.2 NO. 14 • Plenum rated in USA and Canada
INSTALLATION	<ul style="list-style-type: none"> • Mounts to junction box via ½" chase nipple
ENVIRONMENT	<ul style="list-style-type: none"> • Indoors, stationary, non-vibrating, non-corrosive atmosphere and non-condensing humidity • Ambient operation temperature: 32°F to 100°F (0°C to 38°C) • Plenum rated

For a complete overview of the Dialog Room Controller including wiring illustrations, kit specifications and ordering information, please visit www.douglaslightingcontrols.com/products/dialog_room_controller.

Subject to change without notice.

*Patent Pending

CS-WHC-3260 Rev. 4/24/17

Toll Free: 877-873-2797 or Direct 604-873-2797 | lighting@douglaslightingcontrols.com | www.douglaslightingcontrols.com