



<b>Project Name:</b> _____
<b>Part Number:</b> _____ <b>Date:</b> _____

**Features**

- Relay and Relay/Dimming Capable Panels
- Central and Expansion Panels
- Dialog 2-Wire Network for Switches and Sensors
- Touchscreen Interface

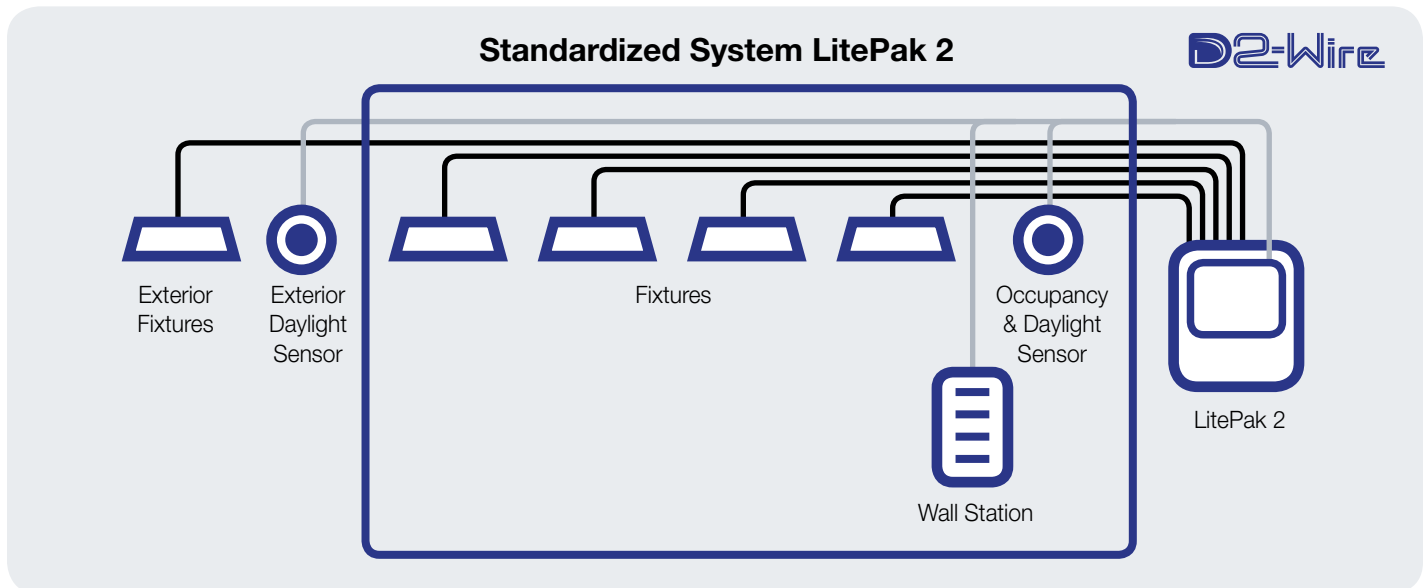
LitePak™ 2 from Douglas Lighting Controls is a standardized digital lighting control system that provides automated and manual control over indoor and outdoor lighting. Contractors find standard off-the-shelf lighting control panels valuable for smaller projects due to their low cost and ease of installation.

New to LitePak 2: 0-10V dimming through independent dimming channels, an interface that follows the same format as our centralized relay panel lighting control unit (LCU), and peripherals connected using a 2-wire (#18/2), low voltage, polarity neutral, power and data network.

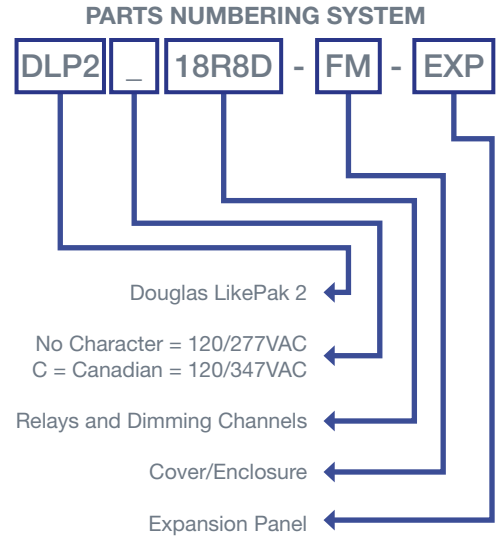
LitePak is available in 8 and 16 relay, dimming or non-dimming, Central and Expansion enclosures that can be used together to support up to 48 relay circuits. The Central panel contains the LCU and Expansion Panels are added to build a system up to 48 relay circuits. Panels are available with Surface mount or Flush mount covers. A NEMA type 4 enclosure is available for installing systems in harsh environments.

The touchscreen has a 365-day astronomical clock for time-of-day/sunrise/sunset control, ability to schedule up to 900 events, and connect with peripheral devices (wall switch stations, occupancy sensors, interior and exterior daylight sensors) to run a fully automated lighting system with daylight control. With the addition of dimming capabilities, daylight harvesting can be implemented. LitePak 2 is designed to meet the requirements of ASHRAE 90.1 and Title 24 projects.

**Typical Applications:** Retail and Commercial projects including: Gas Stations, Convenience Stores, Warehouses, and Auto Dealerships



PART NUMBER	DESCRIPTION
DLP2-8R8D-SM	120/277VAC, 8 RELAY, 8 DIM, SURFACE MOUNT
DLP2-8R8D-FM	120/277VAC, 8 RELAY, 8 DIM, FLUSH MOUNT
DLP2-8R8D-N4	120/277VAC, 8 RELAY, 8 DIM, NEMA TYPE 4
DLP2-16R16D-SM	120/277VAC, 16 RELAY, 16 DIM, SURFACE MOUNT
DLP2-16R16D-FM	120/277VAC, 16 RELAY, 16 DIM, FLUSH MOUNT
DLP2-16R16D-N4	120/277VAC, 16 RELAY, 16 DIM, NEMA TYPE 4
DLP2-8R-SM	120/277VAC, 8 RELAY, SURFACE MOUNT
DLP2-8R-FM	120/277VAC, 8 RELAY, FLUSH MOUNT
DLP2-8R-N4	120/277VAC, 8 RELAY, NEMA TYPE 4
DLP2-16R-SM	120/277VAC, 16 RELAY, SURFACE MOUNT
DLP2-16R-FM	120/277VAC, 16 RELAY, FLUSH MOUNT
DLP2-16R-N4	120/277VAC, 16 RELAY, NEMA TYPE 4
DLP2-8R8D-SM-EXP	120/277VAC, 8 RELAY, 8 DIM, SURFACE MOUNT, EXPANSION PANEL
DLP2-8R8D-FM-EXP	120/277VAC, 8 RELAY, 8 DIM, FLUSH MOUNT, EXPANSION PANEL
DLP2-8R8D-N4-EXP	120/277VAC, 8 RELAY, 8 DIM, NEMA TYPE 4, EXPANSION PANEL
DLP2-16R16D-SM-EXP	120/277VAC, 16 RELAY, 16 DIM, SURFACE MOUNT, EXPANSION PANEL
DLP2-16R16D-FM-EXP	120/277VAC, 16 RELAY, 16 DIM, FLUSH MOUNT, EXPANSION PANEL
DLP2-16R16D-N4-EXP	120/277VAC, 16 RELAY, 16 DIM, NEMA TYPE 4, EXPANSION PANEL
DLP2-8R-SM-EXP	120/277VAC, 8 RELAY, SURFACE MOUNT, EXPANSION PANEL
DLP2-8R-FM-EXP	120/277VAC, 8 RELAY, FLUSH MOUNT, EXPANSION PANEL
DLP2-8R-N4-EXP	120/277VAC, 8 RELAY, NEMA TYPE 4, EXPANSION PANEL
DLP2-16R-SM-EXP	120/277VAC, 16 RELAY, SURFACE MOUNT, EXPANSION PANEL
DLP2-16R-FM-EXP	120/277VAC, 16 RELAY, FLUSH MOUNT, EXPANSION PANEL
DLP2-16R-N4-EXP	120/277VAC, 16 RELAY, NEMA TYPE 4, EXPANSION PANEL
DLP2C-8R-SM	120/347VAC, 8 RELAY, SURFACE MOUNT
DLP2C-8R-FM	120/347VAC, 8 RELAY, FLUSH MOUNT
DLP2C-8R-N4	120/347VAC, 8 RELAY, NEMA TYPE 4
DLP2C-16R-SM	120/347VAC, 16 RELAY, SURFACE MOUNT
DLP2C-16R-FM	120/347VAC, 16 RELAY, FLUSH MOUNT
DLP2C-16R-N4	120/347VAC, 16 RELAY, NEMA TYPE 4
DLP2C-8R8D-SM-EXP	120/347VAC, 8 RELAY, 8 DIM, SURFACE MOUNT, EXPANSION PANEL
DLP2C-8R8D-FM-EXP	120/347VAC, 8 RELAY, 8 DIM, FLUSH MOUNT, EXPANSION PANEL
DLP2C-8R8D-N4-EXP	120/347VAC, 8 RELAY, 8 DIM, NEMA TYPE 4, EXPANSION PANEL
DLP2C-16R16D-SM-EXP	120/347VAC, 16 RELAY, 16 DIM, SURFACE MOUNT, EXPANSION PANEL
DLP2C-16R16D-FM-EXP	120/347VAC, 16 RELAY, 16 DIM, FLUSH MOUNT, EXPANSION PANEL
DLP2C-16R16D-N4-EXP	120/347VAC, 16 RELAY, 16 DIM, NEMA TYPE 4, EXPANSION PANEL
DLP2C-8R-SM-EXP	120/347VAC, 8 RELAY, SURFACE MOUNT, EXPANSION PANEL
DLP2C-8R-FM-EXP	120/347VAC, 8 RELAY, FLUSH MOUNT, EXPANSION PANEL
DLP2C-8R-N4-EXP	120/347VAC, 8 RELAY, NEMA TYPE 4, EXPANSION PANEL
DLP2C-16R-SM-EXP	120/347VAC, 16 RELAY, SURFACE MOUNT, EXPANSION PANEL
DLP2C-16R-FM-EXP	120/347VAC, 16 RELAY, FLUSH MOUNT, EXPANSION PANEL
DLP2C-16R-N4-EXP	120/347VAC, 16 RELAY, NEMA TYPE 4, EXPANSION PANEL
DLP2C-8R8D-SM	120/347VAC, 8 RELAY, 8 DIM, SURFACE MOUNT
DLP2C-8R8D-FM	120/347VAC, 8 RELAY, 8 DIM, FLUSH MOUNT
DLP2C-8R8D-N4	120/347VAC, 8 RELAY, 8 DIM, NEMA TYPE 4
DLP2C-16R16D-SM	120/347VAC, 16 RELAY, 16 DIM, SURFACE MOUNT
DLP2C-16R16D-FM	120/347VAC, 16 RELAY, 16 DIM, FLUSH MOUNT
DLP2C-16R16D-N4	120/347VAC, 16 RELAY, 16 DIM, NEMA TYPE 4



<b>INPUT VOLTAGE</b>	• 120VAC/277VAC or 120/347VAC (DLP2C); 60Hz models
<b>0-10V SINK CURRENT</b>	• 100mA
<b>WIRING LIMITS</b>	• Max. 1000' from LitePak to furthest device; Total Wire Length Max. 3000'
<b>LOAD RATINGS (PER RELAY)</b>	<ul style="list-style-type: none"> <li>• 30A 300VAC General Use</li> <li>• 2400W 120VAC Tungsten</li> <li>• 20A 300 VAC Standard Ballast</li> <li>• 16A 277VAC Electronic Ballast</li> <li>• 1/2HP at 110-125VAC</li> <li>• 1-1/2HP at 220-277VAC</li> <li>• SCCR 18,000A 277VAC</li> <li>• CSA</li> <li>• 347VAC General Use</li> <li>• 2400W 120VAC Tungsten</li> <li>• 20A 347VAC Ballast</li> </ul>
<b>REGULATORY</b>	<ul style="list-style-type: none"> <li>• UL 508A</li> <li>• CSA 22.2 #14</li> <li>• Designed to meet ASHRAE 90.1 requirements</li> <li>• Designed to meet California Title 24 requirements</li> </ul>
<b>DIMENSIONS</b>	<ul style="list-style-type: none"> <li>• 8 Relay/8 Dimming 16"H x 12"W x 4.5"D; 22 lbs.; NEMA 4: 20.5"H x 16"W x 6.5"D, 49.5lbs.</li> <li>• 16 Relay/16 Dimming 24"H x 12"W x 4.5"D; 32 lbs.; NEMA 4 29.75"H x 16"W x 7"D, 70.5lbs.</li> </ul>
<b>WARRANTY</b>	• Standard 1-year