



Project Name: _____
Part Number: _____ Date: _____

Features

- Two 0-10V channels for standard and 2-channel tunable white fixtures
- Controls standard and DIM-to-OFF AUX power LED Drivers
- Occupancy and daylight sensors
- Standard form factor fits 1/2 inch electrical knockout
- Bluetooth wireless network
- Bluetooth beacons for digital ceiling, IoT, and location services strategies



ASHRAE 90.1 2016 Compliant
WSEC Compliant

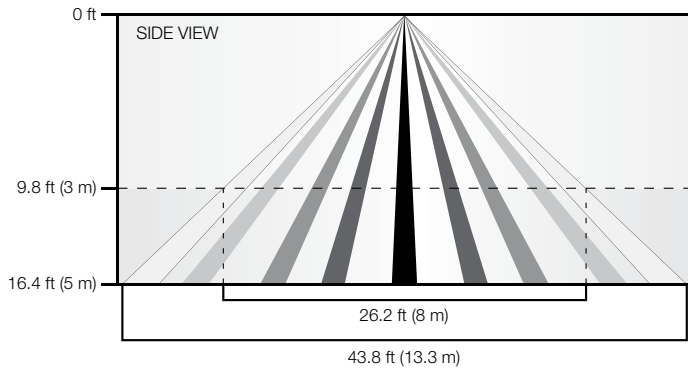
The Douglas **Bluetooth®** Intelligent Fixture Sensors and Controllers enable networking of luminaires in the Douglas Bluetooth wireless lighting control ecosystem, which includes wall switches, sensors and load controllers. These Intelligent Fixture Sensors and Controllers install directly into industry standard 1/2 inch electrical knockouts and are intended for use with 0-10V LED drivers providing auxiliary power and DIM-to-OFF capability - like the Universal Lighting Technologies PWX series.

The Douglas Bluetooth system is ASHRE 90.1 2016, Title 24, and WSEC compliant. It can provide all the necessary control schemes for Occupancy (Occupancy, Vacancy, Partial ON, Partial OFF), Primary & Secondary Daylight Harvesting, and Demand Response.

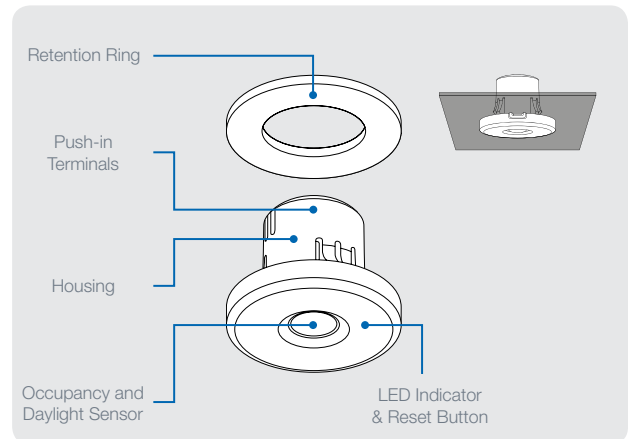
Two 0-10V dimming channels are included and may be used with two-channel LED drivers for tunable white control. Bluetooth beacons are also included for use in Digital Ceiling, IoT and Location Services applications.

PART NUMBER	DESCRIPTION	ORDER NUMBER	QTY/CARTON
BT-IFS-A	Bluetooth® Intelligent Fixture Sensor	BT-IFS-A010C	10
BT-IFC-A	Bluetooth® Intelligent Fixture Controller	BT-IFC-A010C	10

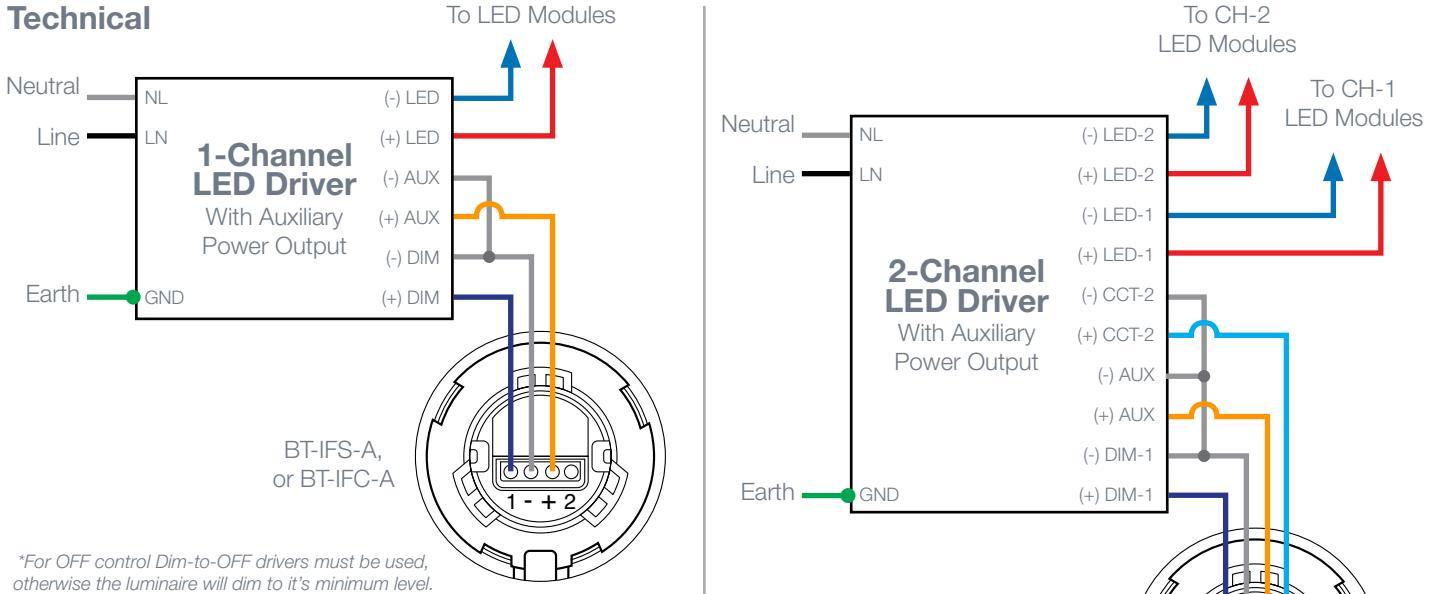
Occupancy Sensor Coverage



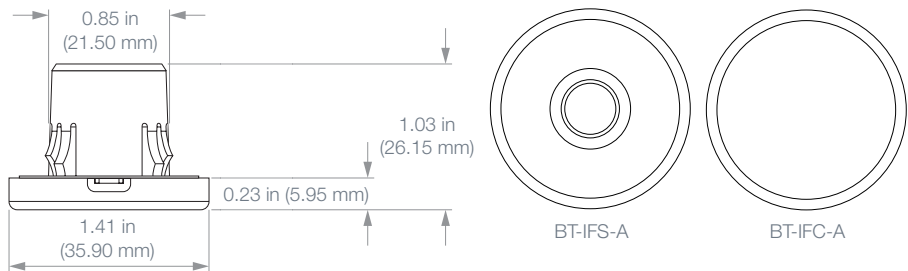
Mounting



Technical



*For OFF control Dim-to-OFF drivers must be used, otherwise the luminaire will dim to it's minimum level.



PART NUMBER	• BT-IFS-A	• BT-IFC-A
NAME	• Intelligent Fixture Sensor	• Intelligent Fixture Controller
FUNCTIONALITY	<ul style="list-style-type: none"> • 0-10V Dimming with DIM-to-OFF (LED Driver dependent) • Occupancy, Vacancy, Partial ON, & Partial OFF • Adjustable Occupancy Timeout: 5 to 90 minutes • Primary & Secondary Daylight Harvesting (CLC) • Bluetooth beacon for digital ceiling, IoT, and location services strategies • Download Douglas Lighting Controls BTCC APP from the Apple App store for commissioning 	<ul style="list-style-type: none"> • 0-10V Dimming with DIM-to-OFF (LED Driver dependent) • Listed for emergency lighting control when used on a dedicated emergency power bus • Occupancy and daylighting control features as shown at left when networked with one or more BT-IFS-A sensors • Bluetooth beacon for digital ceiling, IoT, and location services strategies • Download Douglas Lighting Controls BTCC APP from the Apple App store for commissioning
OCC. SENSOR MOUNTING HEIGHT	• Up to 16.4ft (5m)	• Not applicable
WIRING	• Use #20 to #26 AWG solid copper conductors stripped to 4mm	
INPUT VOLTAGE	• 12VDC – 26.5VDC; Power draw: 0.6W maximum, 0.25W typical	
WIRELESS RANGE	<ul style="list-style-type: none"> • 150ft Clear line of sight, 50ft through standard walls • Distances may vary based on location and environment • Additional devices may be required at time of commissioning to ensure Bluetooth network integrity 	
NOTIFICATIONS	• LED indicator for commissioning and occupancy (IFS)	
ENVIRONMENT	<ul style="list-style-type: none"> • Indoor, stationary, non-vibrating, non-corrosive atmosphere, and non-condensing humidity • Suitable for Use in Other Environmental Air Space (Plenums) in Accordance with Section 300.22, (C) of the National Electrical Code. • Operating temperature: 32°F to 131°F (0°C to 55°C) • Storage temperature: -40°F to 140°F (-40°C to 60°C) 	
DIMMING	<ul style="list-style-type: none"> • Two 0-10V dimming channels, each capable of sinking up to 25mA • Typical use is with single channel 0-10V LED drivers providing auxiliary output power and DIM-to-OFF capability • May also be used with dual-channel, tunable white LED drivers providing auxiliary output power and DIM-to-OFF capability 	
CERTIFICATIONS	<ul style="list-style-type: none"> • UL916, UL2043 (Plenum) • May be installed through a knockout in the luminaire wiring enclosure or installed external to the enclosure and powered with a Class 2 circuit using Class 2 wiring methods 	
WARRANTY	• Standard 5-year warranty	

The Bluetooth® word mark and logos are registered trademarks owned by Bluetooth® SIG, Inc. and any use of such marks by Panasonic is under license. Other trademarks and trade names are those of their respective owners.

*Patent Pending Rev. 5/11/20

Toll Free: 877-873-2797 or Direct 604-873-2797 | lighting@douglaslightingcontrols.com | www.douglaslightingcontrols.com