

DIALOG®

ROOM CONTROLLER*™

DAYLIGHT SENSOR

WPP-INT



INSTALLATION GUIDE



WARNING!

**SYSTEM MUST BE INSTALLED IN ACCORDANCE
WITH LOCAL AND NATIONAL ELECTRICAL CODES**

INDOOR USE ONLY

Risk of Electric Shock. More than one disconnect switch is required to de-energize the device before servicing. All Servicing should be performed by qualified service personnel. This unit has more than one power supply connection point. To reduce the risks of electric shock disconnect both the branch circuit breakers / fuses & emergency power supplies before servicing.

SAVE THESE INSTRUCTIONS

- READ AND FOLLOW ALL SAFETY INSTRUCTIONS.
- Do not use outdoors.
- Do not mount near gas or electric heaters.
- Equipment should be mounted in locations and at heights where it will not readily be subjected to tampering by unauthorized personnel.
- The use of accessory equipment not recommended by the manufacturer may cause an unsafe condition.
- Do not use this equipment for other than intended use.

Table of Contents

1. INTRODUCTION	Page 5
1.1. GENERAL DESCRIPTION	Page 5
2. DESIGN FEATURES	Page 5
3. PART NUMBERS	Page 5
4. COMPATIBLE DEVICES	Page 6
5. SPECIFICATIONS	Page 7
5.1. MOUNTING	Page 7
5.2. OPERATIONS	Page 7
5.3. POWER REQUIREMENTS	Page 7
5.4. OPERATION ENVIRONMENT	Page 7
5.5. APPROVALS	Page 7
5.6. WARRANTY	Page 7
6. DIMENSIONS	Page 8
7. INSTALLATION	Page 8
9. WIRING AND START-UP	Page 9
10. LED STATUS INDICATORS	Page 9

1. INTRODUCTION

1.1. General Description

The Dialog Room Controller Daylight Sensor is a peripheral devices in a Dialog Room Controller Kit.

2. DESIGN FEATURES

- The Dialog Room Controller Daylight Sensor is powered by and communicated with, via our Dialog 2-wire low voltage data line.
- The low profile design and 30° tilting lens provides a clean looking installation while allowing the lens to be directed to or away from specific areas.
- Plug 'N Control™ ready out-of-the-box
- Daylight level set-point is field adjustable.

3. PART NUMBERS

Part Number	Description
WPP-INT	Interior Daylight Sensor Single Room
WPP-INT-1A	Interior Daylight Sensor Single Room A Type
WPP-INT-1B	Interior Daylight Sensor Single Room B Type
WPP-INT-2A	Interior Daylight Sensor Two Room A Type
WPP-INT-2B	Interior Daylight Sensor Two Room Type B

4. COMPATIBLE DEVICES

Works in conjunction with the following Part Numbers:

Device Type	Description	PN
Dialog Room Controller	Digital 4 Channel ON/OFF Room Controller w/ Receptacle Control, BACnet	WRC-3160
Dialog Room Controller UL924 / Relay Expansion Pack	Digital 2 Channel UL924 Emergency Lighting Controller / Relay Expansion Pack	WUL-3924
Digital Occupancy Sensor	Recessed Ceiling Standard Range w/ Time Delay Dial & Aux Relay, No Photo	WORSDG1-R-T
Digital Occupancy Sensor	Recessed Ceiling Extended Range w/ Time Delay Dial & Aux Relay, No Photo	WORXDG1-R-T
Digital Vacancy Sensor	Recessed Ceiling Standard Range w/ Time Delay Dial & Aux Relay, No Photo	WVRSDG1-R-T
Digital Vacancy Sensor	Recessed Ceiling Extended Range w/ Time Delay Dial & Aux Relay, No Photo	WVRXDG1-R-T
1 Channel Dimmer & Switch	Digital Dimmer & Switch, 1 Channel	WSD-3501
1 Button Switch	Digital 1 Gang 1 Button Switch	WSW-3511
2 Button Switch	Digital 1 Gang 2 Button Switch	WSW-3512
3 Button Switch	Digital 1 Gang 3 Button Switch	WSW-3513
4 Button Switch	Digital 1 Gang 4 Button Switch	WSW-3514
8 Button Switch	Digital 1 Gang 8 Button Switch	WSW-3518

5. SPECIFICATIONS

5.1. Mounting

- Dialog Ceiling Mount Sensors will fit a standard (2-1/8" deep) octagon box. They can also be attached with the included mounting ring. For octagon box installations, conduits should be attached to the sides with the larger wiring space.

5.2. Operations

- Plug 'N Control ready out-of-the-box
- Natural Daylight Harvesting via closed loop control dimming
 - Range 0 to 65,000 lux

5.3. Power

- Current Draw: 3mA

5.4. Power Requirements

- Powered by Dialog 2-wire, non-polarized low voltage data bus

5.5. Operation Environment

- Indoors, stationary, non-vibrating, non-corrosive atmosphere and non-condensing humidity
- Ambient Operation Temperature: 14°F to 140°F (-10°C to 60°C)

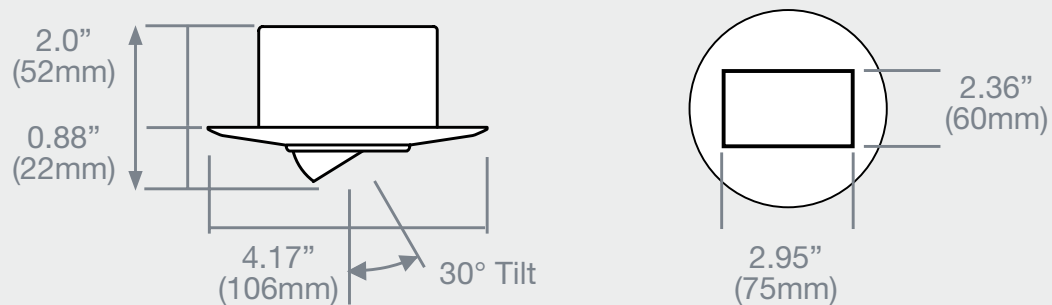
5.6. Approvals

- ASHRAE 90.1 2010 Compliant
- California Energy Commission Title 24 Compliant
- NY Local Law 48 Compliant

5.7. Warranty

- 1-year

6. DIMENSIONS



7. INSTALLATION

- Ceiling Sensors mounting into a 2-1/8" deep or more, octagonal junction box. Install by recessing the device into the octagon box; lining up the mounting holes and securing it using the screws provided. If too shallow, use the spacer ring is provided.
- Closed loop Daylight Sensors are best placed within the primary daylighting zone midway between rows and should be directed in a way that limits the signal from uplight luminaires.

8. WIRING AND START-UP

CAUTION

Risk of Electric Shock. More than one disconnect switch is required to de-energize the device before servicing. All Servicing should be performed by qualified service personnel. This unit has more than one power supply connection point. To reduce the risks of electric shock disconnect both the branch circuit breakers / fuses & emergency power supplies before servicing.

A 24Vac data line source is used for the Dialog Occupancy Sensors, Daylight Sensors and Digital Wall Station Switches. All switches or loads supported by the sensor must be included in the loading capacity of the Dialog Room Controller. Controller can support up to 100mA of peripheral devices.

Use appropriate sized wire-nuts to connect the Dialog 2-wire network and external source to the auxiliary relay wires.

When using field-installed conductors ensure a 60°C minimum rating.

1. Connect wiring as shown on appropriate Kit Wiring Diagram
2. Power up system
3. Wait 15 seconds for system to start-up and run system checks
4. Check sensor functionality
5. Set Daylight level
 - a. Remove face plate
 - b. Press commissioning button (green LED flashes)
 - c. Adjust dial to desired light level
 - d. Step away from sensor until orange light flashes
6. Installation & configuration complete!

9. LED STATUS INDICATORS

- The sensor has green and orange LED lights in the lens to indicate “Commissioning in Progress” and “Commissioning Complete”.

The logo for Douglas Lighting Controls features the word "DOUGLAS" in a large, bold, blue serif font. A stylized blue swoosh is positioned above the letter "D". Below "DOUGLAS", the words "LIGHTING CONTROLS" are written in a smaller, blue, all-caps sans-serif font.

DOUGLAS

LIGHTING CONTROLS

toll free: 877-873-2797

direct: 604-873-2797

lighting@douglaslightingcontrols.com

www.douglaslightingcontrols.com

Rev. 11/30/17